

Ultrasonic Liquid Level Transmitter PEK672



Applications

The PEK672 are 4–20 mA loop-powered level transmitters designed for continuous liquid level measurements in tanks. The transmitters can be connected directly to a plant control system. The PEK672 may be mounted in a hazardous area if powered from a protected power supply.

Applications

- Storage tank levels
- Open channel flow
- Effluent pits
- Reservoir level
- Buffer tanks

Features and benefits

- Measures liquid height or distance to liquid
- Simple set-up and operation with an integral LCD display and buttons
- Low cost of installation and commissioning. Minimal maintenance after installed
- Non-contacting measurement with no moving parts
- Two-wire 24 V direct current loop-powered

- Wide range of supply voltage from V DC 12 to V DC 32
- Temperature range between -20°C and 65°C
- Self-Diagnostics Function

Description

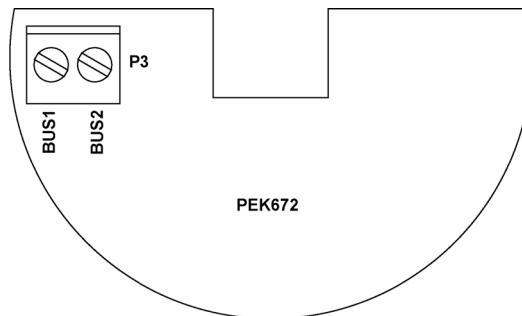
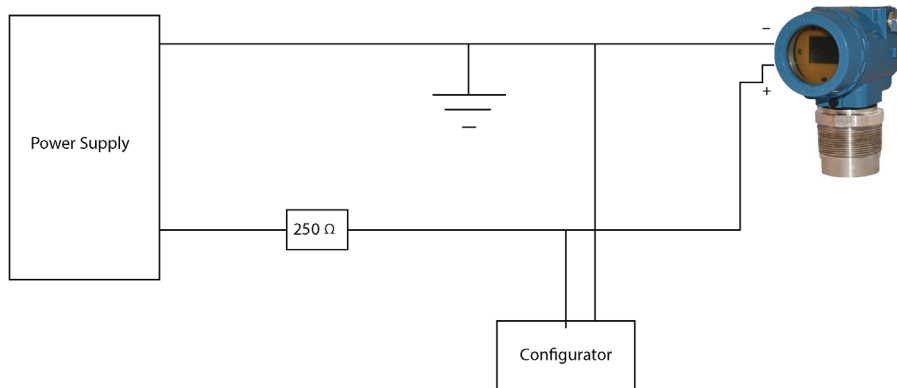
The PEK672 is a liquid level transmitter used on ultrasonic technology that is suitable for many liquid applications. Ultrasonic pulse signals are transmitted and reflected from the liquid surface. The transmitter 'listens' for reflected signals (echoes) and measures the time-delay between transmitting and receiving. The distance to the liquid surface is automatically calculated using the computed time-delay. The transmitter then calculates the liquid depth (level) and outputs the level as a 4–20 mA signal based on HART protocol.

The Rosemount 3102 is used for measuring the level only or can calculate distance-to-surface, and then output the result as a 4–20 mA signal based on HART Protocol.

Specifications

Model	PEK672
Housing Material	Aluminum
Output Signal	4-20 mA with HART
Conduit / Cable thread	M20 x 1.5
Process connection	3-in. NPT thread or As Requested
Product certificates	Exd IIC T4
Enclosure	PEK-001
Range	50 cm to 6.45 m
Resolution	1 inch
Frequency	42 KHz
Reading Rate	20 Hz
Dead band	30 cm
Blocking distance	50 cm to 6.45 m
Display type	graphical LCD
Display units	Inch or cm
Supply voltage	12-32 VDC
Configuration	Push button
Temperature rating	-30°C to +65°C

Electrical Connection



Connection	Description
BUS 1	HART Network Connector (without polarization)
BUS 2	HART Network Connector (without polarization)

Pars Electronic Kish

Unit, No. 20, Qavam pour Alley, North
Sheikh Bahai St, Tehran, Iran

Tel: +9821-88613511
Fax: +9821-88602547
info@parsek.org
www.parsek.org

